

# 795T Three-Channel Pager

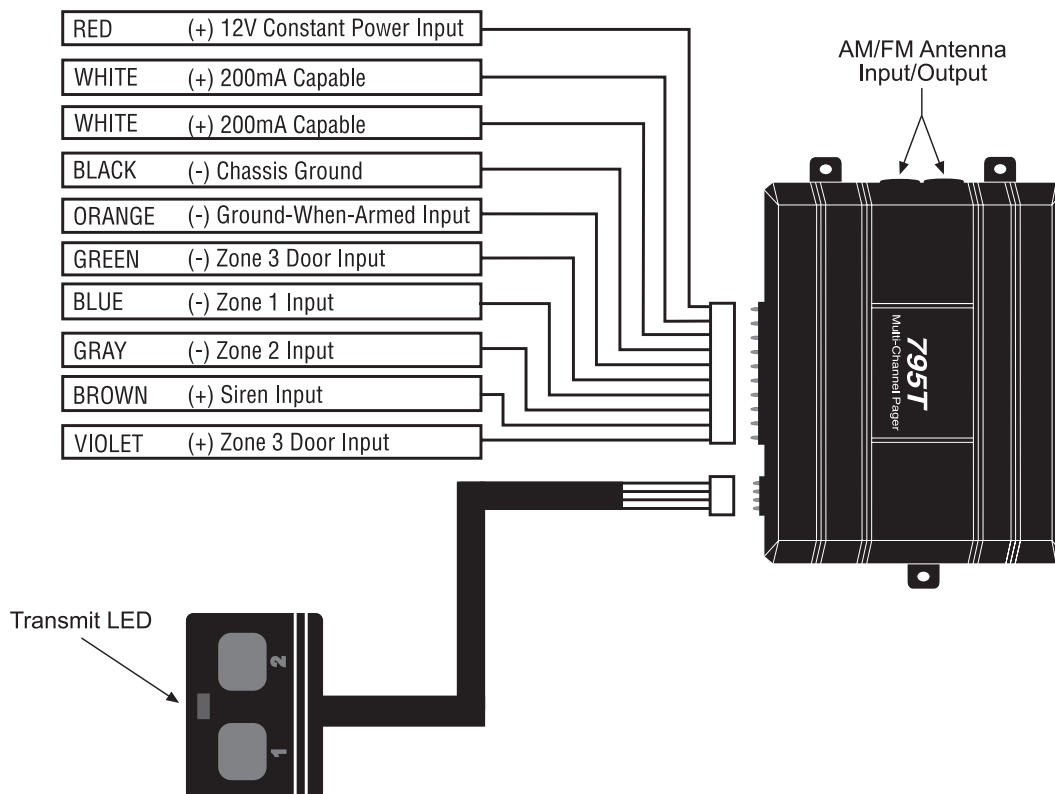
The 795T is a sophisticated three-channel pager that will notify you if your security system has been triggered. It operates at 27MHz and has an effective range of up to one mile under ideal conditions. The 795T is compatible with most security systems and is capable of identifying what sensor or input has been triggered.

The receiver uses two AAA batteries that need to be installed under the sliding door on the rear of the unit. The base unit is installed in the vehicle and uses an AM/FM antenna to broadcast to the receiver. The optional strip antenna (part number 793T) can be used for hidden applications.

The receiver uses EEPROM to learn the code of the base unit. One receiver is capable of monitoring three separate cars. Once the receiver has learned the code of one or more base units, it will be retained in memory, even without batteries, for over a year.

## what is included

- Three-channel receiver (pager)
- Manual paging switch pod
- Base unit (transmitter)
- AM/FM antenna connector
- Wiring harness
- Two AAA batteries



## installation instructions

The 795T is a multi-channel paging system that uses EEPROM to learn the code of the base unit. Please take time to read this installation guide prior to installing the unit.

### Electrical Connections

*NOTE: Make all electrical connections prior to plugging the main wiring harness into the base unit.*

**RED (+) 12V Constant Power Input** - Connect this wire to the positive battery terminal or to a good 12V source at the ignition harness.

**WHITE, WHITE/BLACK Power Antenna Interface** - (+ 200mA capable) These wires are used to raise the factory power antennas.

**BLACK (-) Chassis Ground** - Connect this wire to a paint-free metal surface. If possible use a factory bolt as it will resist stripping when tightening.

**Orange (-) Ground-When-Armed Input** - Connect to the ground when armed output of the security system. If your security system does not have a ground when armed output, then use the brown (+) siren wire in it's place.

*NOTE: If connecting the orange wire to control another module a 1 amp diode (type 1N4004) will be required. (See the below diagram.)*

**GREEN (-) Zone 3 Door Input** - Connect to the (-) door trigger input of the security system.

**BLUE (-) Zone 1 Input** - Usual connections are either the shock sensor trigger wire, hood trigger wire, or trunk trigger wire.

**GRAY (-) Zone 2 Input** - Usual connections are either the shock sensor, WarnAway® wire, or a field disturbance sensor trigger wire.

**BROWN (+) Siren Input** - This wire connects to the positive siren wire of the security system ONLY if the security system does not offer a (-) ground when armed output.

**VIOLET (+) Zone 3 Door Input** - Connect to the (+) door trigger input of the security system.

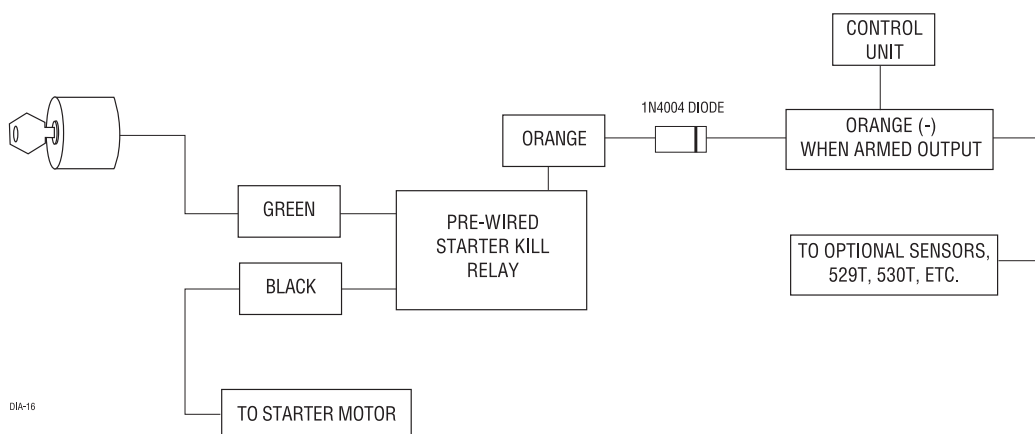
*NOTE: Once the wires have been connected to inputs of the alarm, make note of these connections for future reference.*

**AM/FM Antenna** - Unplug the antenna from the radio in the car and plug it into the port on the base unit marked ANTENNA. Then plug the supplied antenna cord into the port marked RADIO and also into the back of the radio in the vehicle.

## code learning

The 795T receiver is code learning. Before attempting to teach the unit a code, the manual paging switch pod must be plugged into the base unit.

1. Press down on the ON/OFF switch on the pager unit and hold it down. While holding, slide the power switch to the ON position. Both LEDs will



light. Continue to hold the ON/OFF button until the pager beeps one time. Release the ON/OFF switch.

The unit is now in learn mode. The zone LED will light ORANGE, and the car LED will flash the color of the selected car. Pressing down momentarily on the ON/OFF switch will cycle the car LED from RED to ORANGE to GREEN. Select the desired color.

2. Press either of the buttons on the manual paging switch pod. The transmit LED on the pod unit will illuminate to confirm that the base unit is transmitting. The pager will beep five times to confirm that it has learned the code and will automatically exit learn mode.

### usage

When the pager is turned on, it will beep and both LED's will flash ORANGE one time. The unit is now in the standby mode and waiting for a transmission from the base unit. The pager will respond when the alarm system has triggered and/or when the manual paging buttons in the vehicles are pressed.

When the pager unit receives a page it will respond with beeps and flashing LEDs. After you receive a page and check the status of the pager, you may quiet the pager by pressing the ON/OFF switch. The pager will then return to the standby mode.

#### Table of zones

Orange Zone LED	Triggered the system or manual page button one was pressed
Green Zone LED	Triggered the system or manual page button two was pressed
Red Zone LED	Vehicle door triggered the system or manual page buttons one and two were pressed
Red car LED	Page received from vehicle number 1

Green car LED	Page received from vehicle number 2
Orange car LED	Page received from vehicle number 3

*NOTE: Some security systems have less than three zones and some have more. Ask your installer for the specifics of your system.*

Event	Explanation
9 short beeps	Security system has triggered pager
3 grouped of 3 beeps	Manual paging buttons were pressed
1 beep every minute	Pager has been triggered, but not checked by user
2 beeps every 5 min.	Batteries are low and need to be replaced

### troubleshooting

Pager does not sound when alarm is triggered.

- Is the base unit transmitting? Check the Transmit LED.
- Have you taught the receiver the code from the base unit? See the *Code Learning* section of this guide.

When the alarm is triggered, the transmit LED does not light.

- Is the ORANGE or BROWN wire connected? Remember the ORANGE wire must have ground or the BROWN wire must have voltage to set up the base unit to transmit.
- Are the trigger inputs connected and configured properly? See the *Electrical Connections* section of this guide.